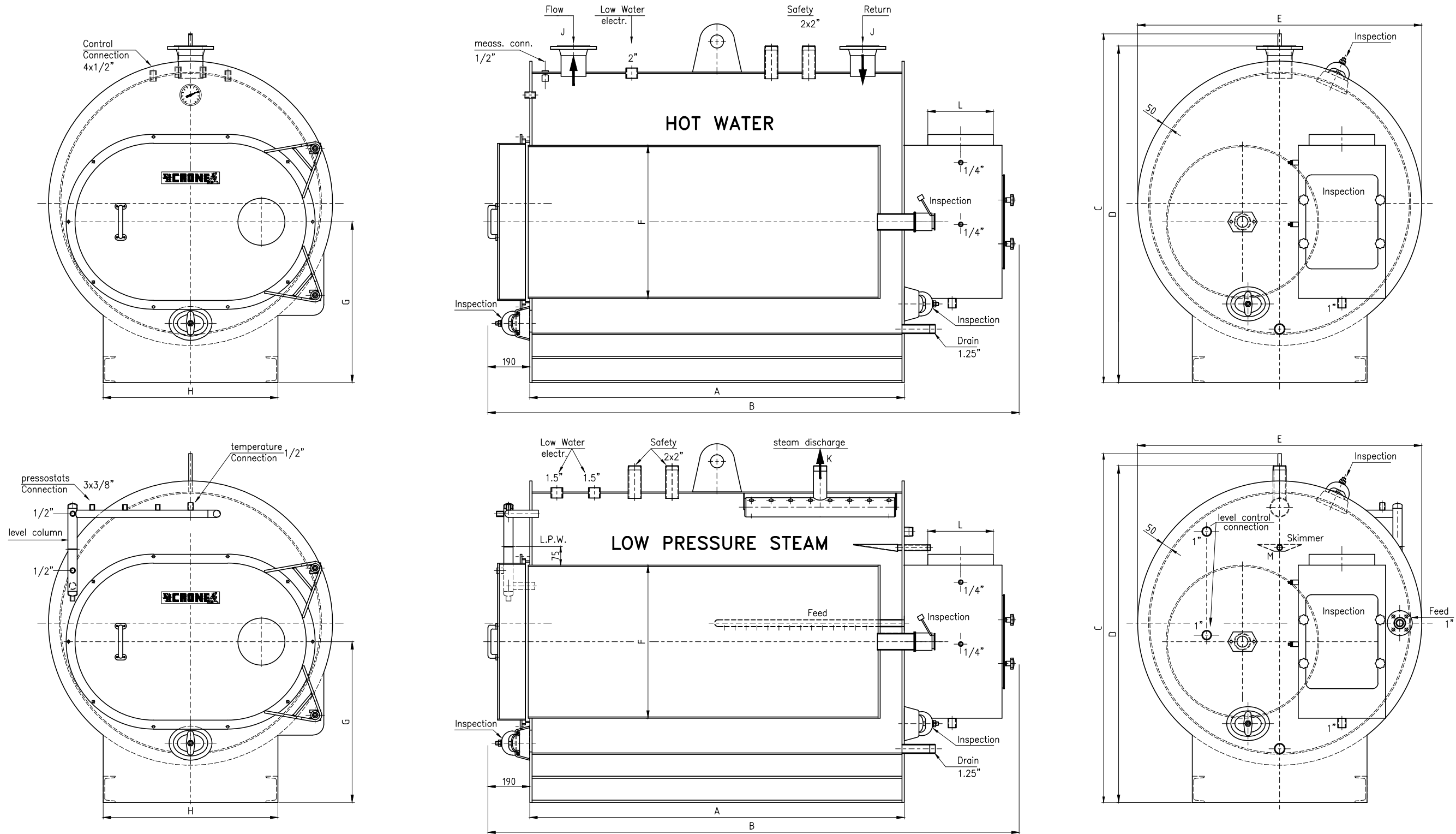


BOILER TYPE CKS



Type	Capacity (Mcal)	Capacity (kW)	Capacity steam (kg/h)	Water vol. (Ltr.)	Weight (kg)	H.S. (m2)	Gassed Vol. (m3)	dp (mmWC)	A	B	C	D	E	F	G	H	J	K	L	M
CKS 6	150	180	225	590	810	5,9	0,24	20	1210	1830	1300	1245	1050	500	550	600	DN65-PN6	2"	200	3/4"
CKS 7	175	210	260	680	870	6,9	0,28	20	1410	2030	1300	1245	1050	500	550	600	DN65-PN6	2"	200	3/4"
CKS 8	200	240	300	705	950	8	0,32	25	1334	1954	1380	1325	1110	550	600	650	DN80-PN6	2,5"	200	3/4"
CKS 10	250	300	400	880	1110	9	0,43	25	1486	2156	1465	1410	1180	600	660	700	DN80-PN6	2,5"	250	3/4"
CKS 12	313	375	500	1075	1300	12,4	0,53	25	1607	2277	1555	1500	1250	640	695	900	DN100-PN6	3"	250	3/4"
CKS 15	375	450	600	1170	1490	14,7	0,69	30	1714	2434	1640	1540	1300	700	735	800	DN100-PN6	3"	300	3/4"
CKS 20	500	600	800	1950	2290	19,9	1,16	35	1904	2624	1915	1815	1570	860	860	1000	DN100-PN6	3"	300	3/4"
CKS 25	750	900	1200	2400	2610	24,5	1,36	40	1990	2760	2035	1935	1680	900	915	1000	DN125-PN6	DN100-PN16	350	1"

- Connections for flow, return, level control, levelcolumn, skimming and feed are mounted depending on task of the boiler.
- The connection for level control is based on the use of a "McDonnel" type 150J.
- Flange connections acc. EN1092-1 PN6

Modifications reserved 2-2019



Grote Esch 400
2841 MJ Moordrecht (NL) | Tel. +31(0)182 614482 | e-mail : info@fhcrone.nl
fax +31(0)182 633257 | website : www.fhcrone.nl